

# 3M™ Protecta® Trolmatic™ Evacuation Trolley

**Part Number: AG300**

## Description:

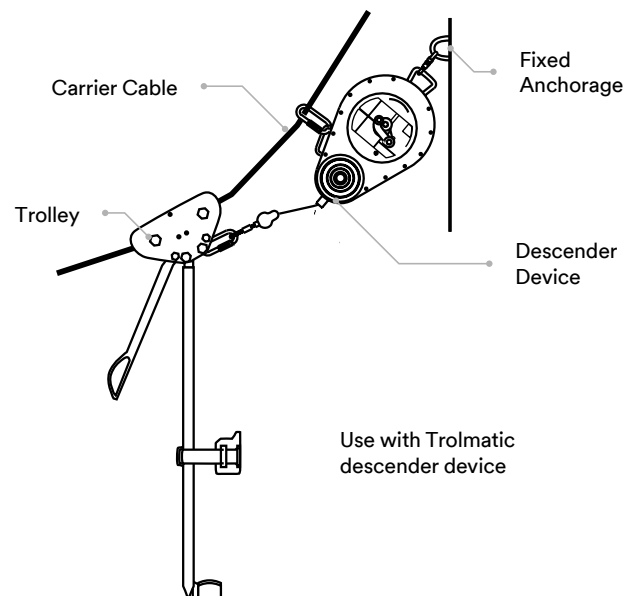
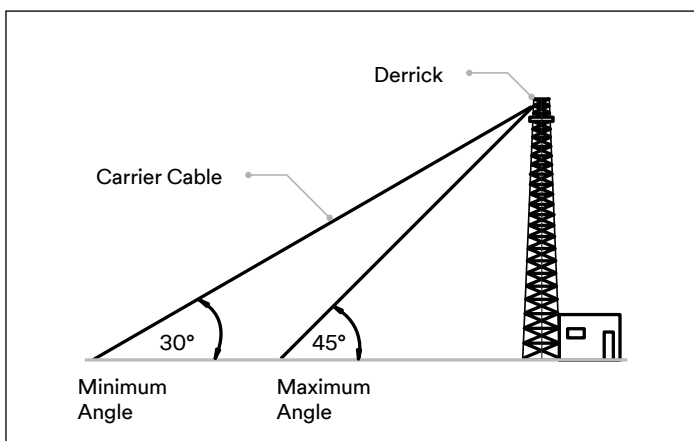
Industry:	Oil & Gas
Applications:	Oil Derrick inclined evacuation
Brand:	Protecta®

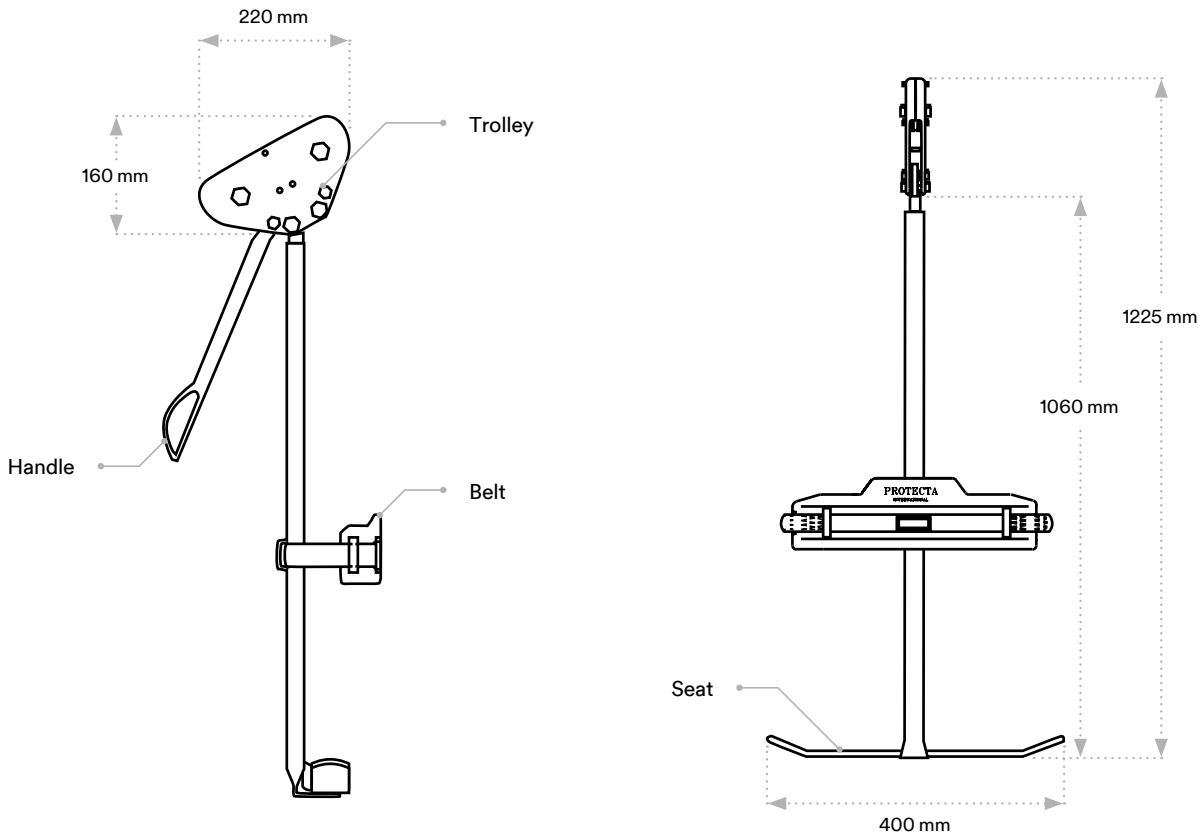
## Features:

<b>Descender Device:</b>	<ul style="list-style-type: none"> <li>Galvanised cable 12 mm diameter</li> <li>Evacuation seat on inclined cable</li> <li>Manual brake system</li> <li>Numerous successive evacuation possibilities</li> <li>Carriage features an anchorage with connector to which the user can connect themselves using a harness front anchorage point</li> </ul>
<b>Material:</b>	<ul style="list-style-type: none"> <li>Trolley: Cast iron</li> <li>Brake block: Bronze</li> <li>Seat: Steel</li> </ul>
<b>Net Weight:</b>	7.85 kg



## Installation Principle:





## Important Notice

The mounting and use of the product described within this document assumes that the user has previous experience of this type of product and that it will be assembled by a competent professional according to product documentation. Before any use of this product it is recommended to complete some trials to validate the performance of the product within its expected application.

All information and specification details contained within this document are inherent to this specific 3M product and would not be applied to other products or environment. Any action or usage of this product made in violation of this document is at the risk of the user.

Compliance to the information and specification relative to the product contained within this document does not exempt the user from compliance with additional guidelines (safety rules, procedures). Compliance to operational requirements especially in respect to the environment and usage of tools with this product must be observed. The 3M Group (who cannot verify or control these elements) would not be held responsible for the consequences of any violation of these rules which remain external to its decision and control.

Warranty conditions for products are determined with the sales contract documents and with the mandatory and applicable law, excluding any other warranty or compensation.

### 3M Fall Protection Business

Capital Safety Group (NE) Ltd  
5a Merse Road, North Moons Moat  
Redditch, B98 9HL, UK

Phone 00 800 999 55500 Email [informationfallprotection@mmm.com](mailto:informationfallprotection@mmm.com) Web [3M.com/FallProtection](http://3M.com/FallProtection)

Protecta is a trademark of 3M Company and its affiliates.

### Capital Safety Group (EMEA)

Le Broc Center, Bâtiment A, Z.1. 1re Avenue – BP15  
06511 Carros Le Broc, Cedex, FRANCE



Fall Protection